



MODEL BMW R 1200 GS

YEAR 2008 - 2009

LINE SPORT

MUFFLER SUONO

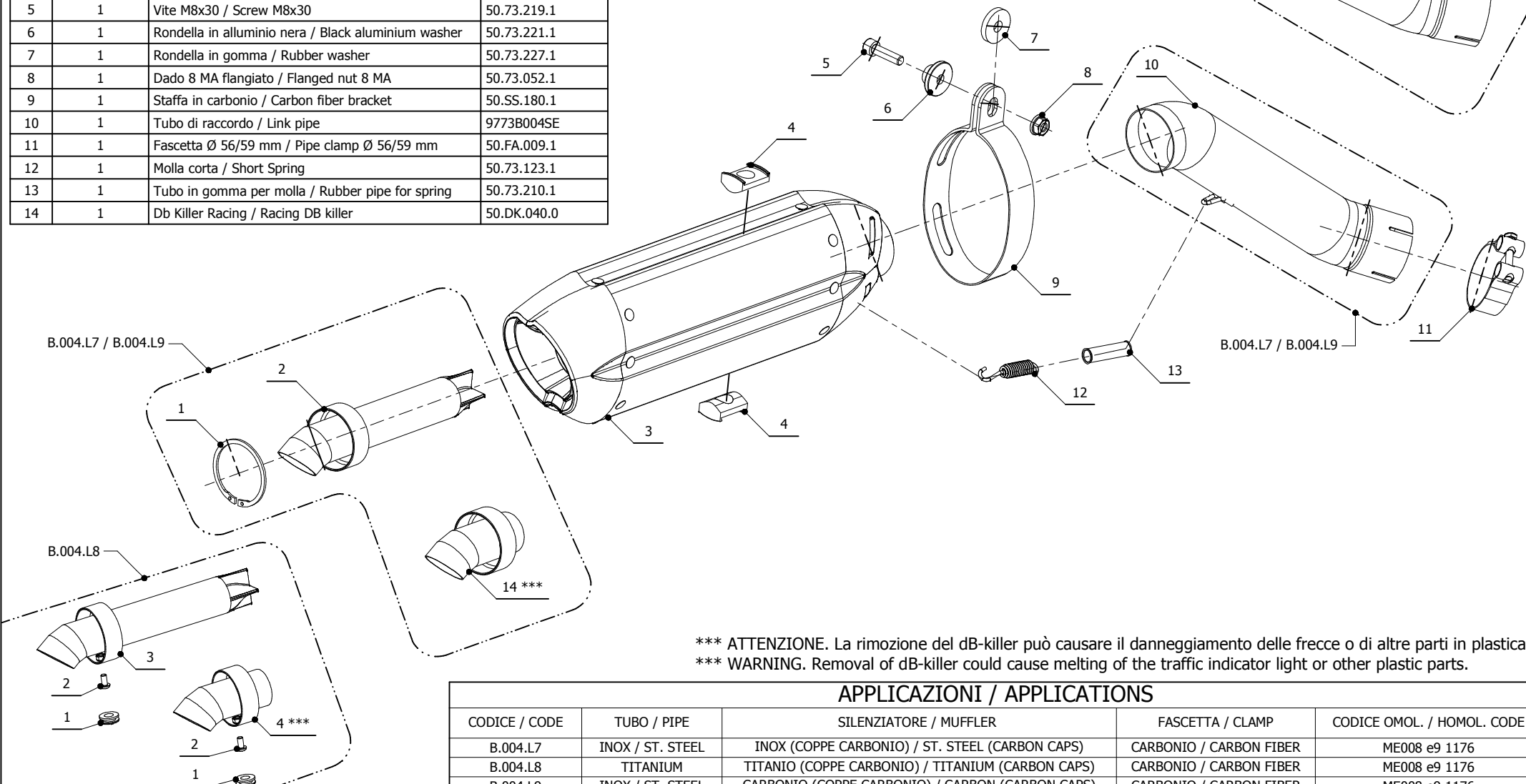
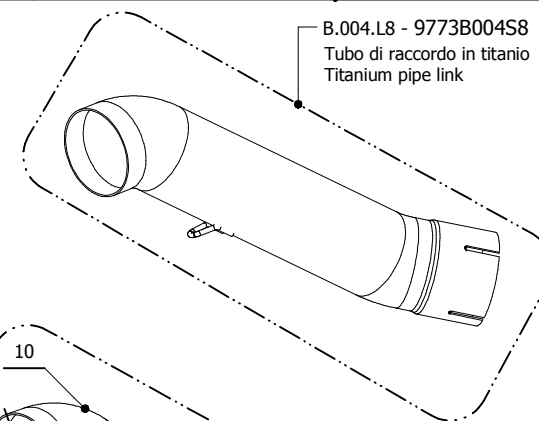
SCHEMATIC

ELENCO PARTI VERS. L7-L9 / L7-L9 VERS. PARTS LIST

#	QTÀ / QTY	DESCRIZIONE / DESCRIPTION	CODICE / CODE
1	1	Anello Seger / Seger ring	50.73.218.1
2	1	Db Killer forato / Drilled DB killer	50.DK.042.0
3	1	Silenziatore / Muffler	SUONO
4	2	Tassello grande / Rubber big block	50.73.203.1
5	1	Vite M8x30 / Screw M8x30	50.73.219.1
6	1	Rondella in alluminio nera / Black aluminium washer	50.73.221.1
7	1	Rondella in gomma / Rubber washer	50.73.227.1
8	1	Dado 8 MA flangiato / Flanged nut 8 MA	50.73.052.1
9	1	Staffa in carbonio / Carbon fiber bracket	50.SS.180.1
10	1	Tubo di raccordo / Link pipe	9773B004SE
11	1	Fascetta Ø 56/59 mm / Pipe clamp Ø 56/59 mm	50.FA.009.1
12	1	Molla corta / Short Spring	50.73.123.1
13	1	Tubo in gomma per molla / Rubber pipe for spring	50.73.210.1
14	1	Db Killer Racing / Racing DB killer	50.DK.040.0

DB KILLER VERS. L8 / L8 VERS. DB KILLER

#	QTÀ / QTY	DESCRIZIONE / DESCRIPTION	CODICE / CODE
1	2	Tappo in gomma / Rubber stopper	50.73.266.1
2	2	Vite M5 x 8 / Screw M5 x 8	50.73.233.1
3	1	Db Killer forato / Drilled DB killer	50.DK.047.0
4	1	Db Killer Racing / Racing DB killer	50.DK.048.0



*** ATTENZIONE. La rimozione del dB-killer può causare il danneggiamento delle frecce o di altre parti in plastica.
 *** WARNING. Removal of dB-killer could cause melting of the traffic indicator light or other plastic parts.

APPLICAZIONI / APPLICATIONS

CODICE / CODE	TUBO / PIPE	SILENZIATORE / MUFFLER	FASCETTA / CLAMP	CODICE OMOL. / HOMOL. CODE
B.004.L7	INOX / ST. STEEL	INOX (COPPE CARBONIO) / ST. STEEL (CARBON CAPS)	CARBONIO / CARBON FIBER	ME008 e9 1176
B.004.L8	TITANIUM	TITANIO (COPPE CARBONIO) / TITANIUM (CARBON CAPS)	CARBONIO / CARBON FIBER	ME008 e9 1176
B.004.L9	INOX / ST. STEEL	CARBONIO (COPPE CARBONIO) / CARBON (CARBON CAPS)	CARBONIO / CARBON FIBER	ME008 e9 1176