

SHAD

ENGINEERED FOR RIDING



USER GUIDE TOP CASE

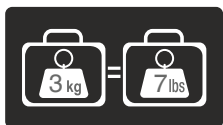
SH37

WWW.SHAD.ES

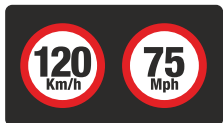
CARE AND MAINTENANCE



WARNING!



MAXIMUM WEIGHT



MAXIMUM SPEED, CHECK LOCAL LAWS.



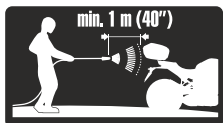
ALWAYS SECURE AND LOCK PRODUCTS.



ONLY USE RECOMMENDED CLEANING PRODUCTS.

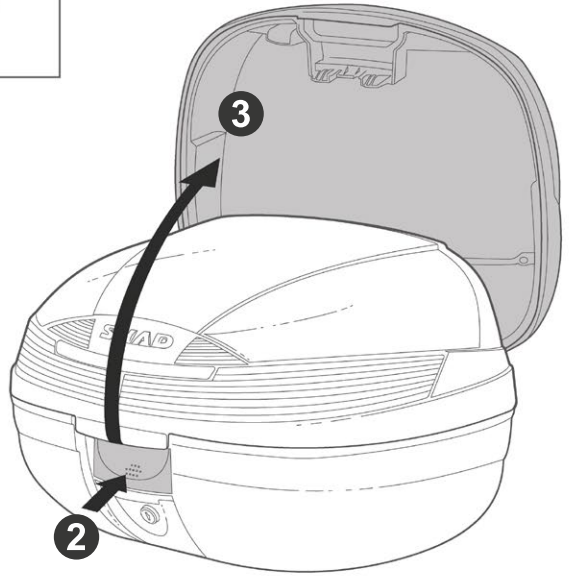
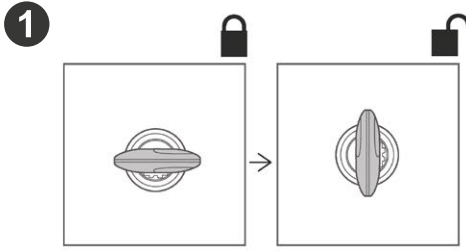


CASES ARE NOT DESIGNED TO PROTECT FRAGILE OBJECTS.

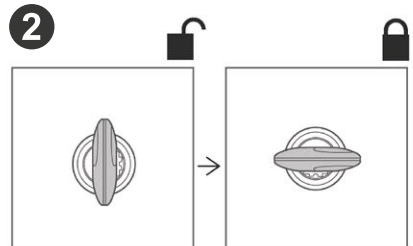
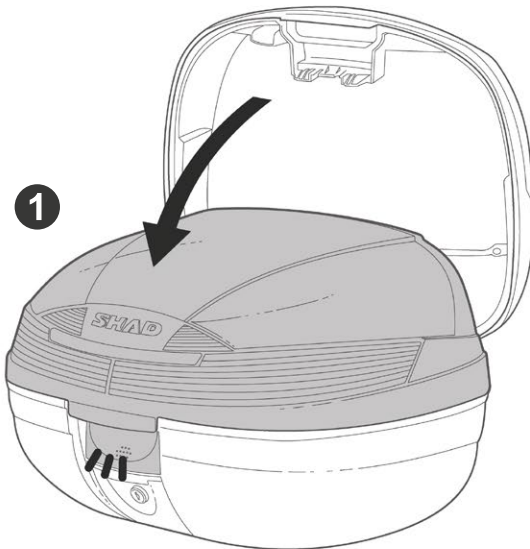


1 M. MINIMUM DISTANCE WITH POWER WASHER.

OPEN

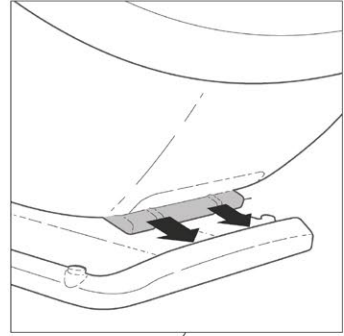
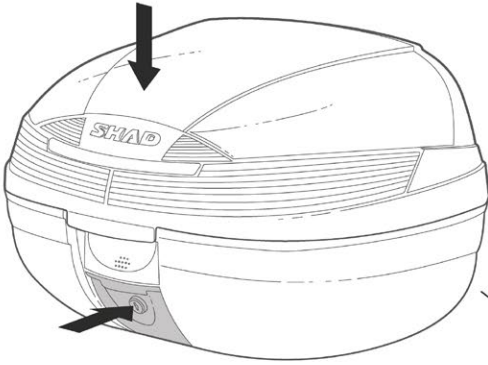


CLOSE

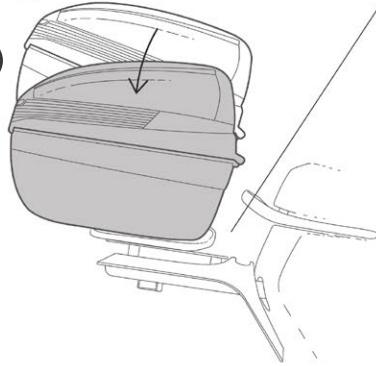


ASSEMBLY

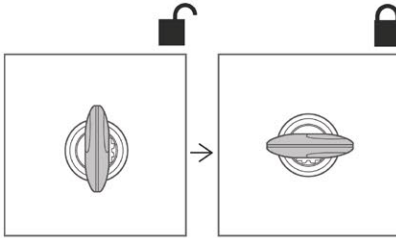
1



2

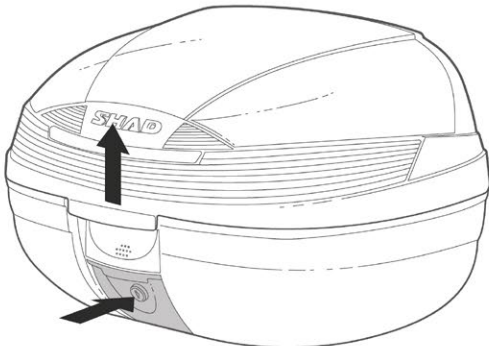


3

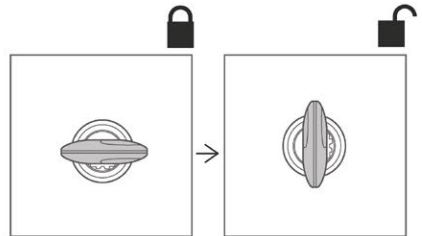


RELEASE

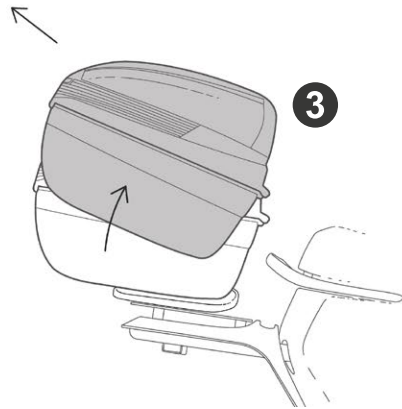
2



1



3



TOP CASE SUPPORT ASSEMBLY



1 201124 x1



2 201125 x1



3 200713/2 x4



4 304058 x4
M6x30 Din 965



5 304144 x4
M6x40 Din 965



6 303000 x4
Ø6



7 302021 x4
M6



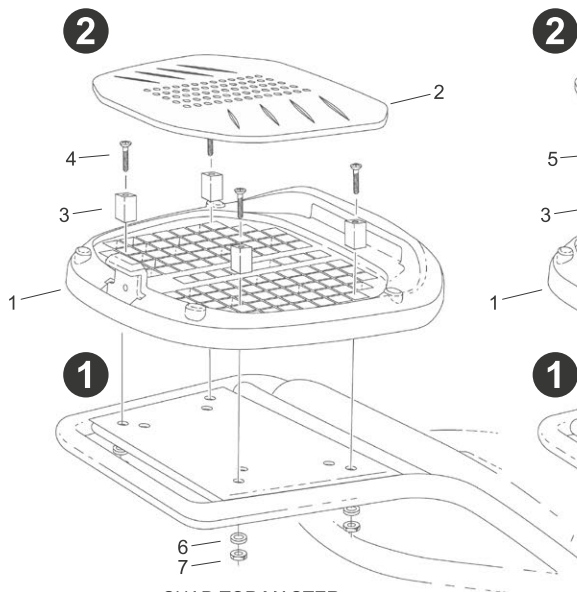
8 201049 x4



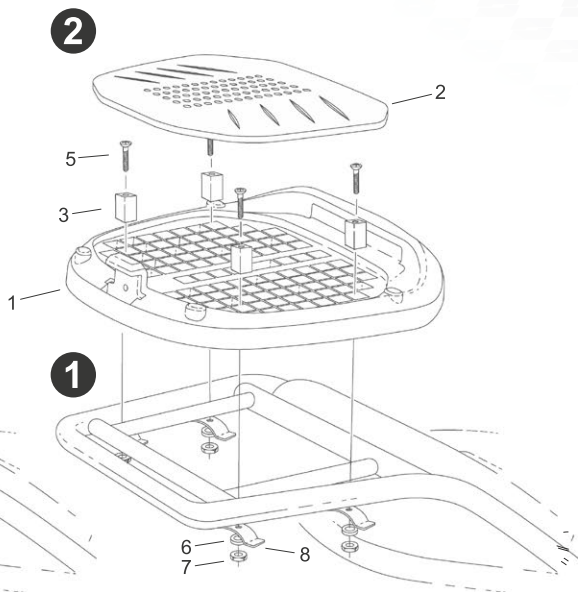
PHILLIPS PH3



N° 10mm



SHAD TOP MASTER



CHECK BIKE COMPATIBILITY
WWW.SHAD.ES *

ACCESSORIES

BACK REST
Ref. D0RI60



LIGHT
Ref. D0B29KL



LED

SH37 COVER PLATES

BLUE
Ref. D1B37E01



SILVER
Ref. D1B37E05



WHITE
Ref. D1B37E08



RED
Ref. D1B37E09



BLACK
Ref. D1B37E21



UNPAINTED COVER
Ref. D1B37ER



DESIGNED IN BARCELONA

Since 1973

SHAD EUROPE NAD S.p.A.
HEADQUARTERS

T: (+34) 935 795 866
Octave Lecante, 2-6
Mollet del Valles, 08100
Barcelona - Spain

SHAD CHINA

T: (+86) 21 6236 5730
Room 501 (Zone 1-T3),
No.1, Lane 268, Tai Hong Road,
MinHang District, 201107
Shanghai - China

SHAD USA

T: (+1) 305 652 6366
19096 NE 4th Court
Miami FL, 33179
USA

SHAD INDONESIA

T: (+62) 21 2271 8560
Jl. Kemang Selatan VIII No.56 Unit B
Jakarta 12730 Indonesia

WWW.SHAD.ES



WE ARE
DOING
GREEN

AS PART OF THE TERRA DEVELOPMENT PROJECT, FROM SHAD WE HAVE ACQUIRED THE COMMITMENT TO FIGHT AGAINST CLIMATE CHANGE BY REFORESTATION.



tree-nation

Tree-Nation is an open, collaborative platform to reforest the world.

Expand our SHAD forest
CAN YOU HELP US REFOREST?
JUST ENTER AND SEE HOW

WWW.SHAD.ES