

SHAD

ENGINEERED FOR RIDING



USER GUIDE SIDE CASE

SH38X / EXPANDABLE

WWW.SHAD.ES

MODULAR HELMET 1 CAPACITY

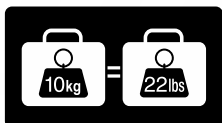


FEATURES

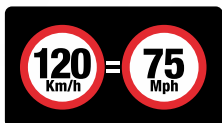


CARE AND MAINTENANCE

WARNING!



MAXIMUM WEIGHT



MAXIMUM SPEED, CHECK LOCAL LAWS.



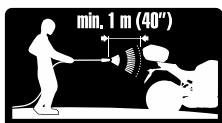
ALWAYS SECURE AND LOCK PRODUCTS.



ONLY USE RECOMMENDED CLEANING PRODUCTS.

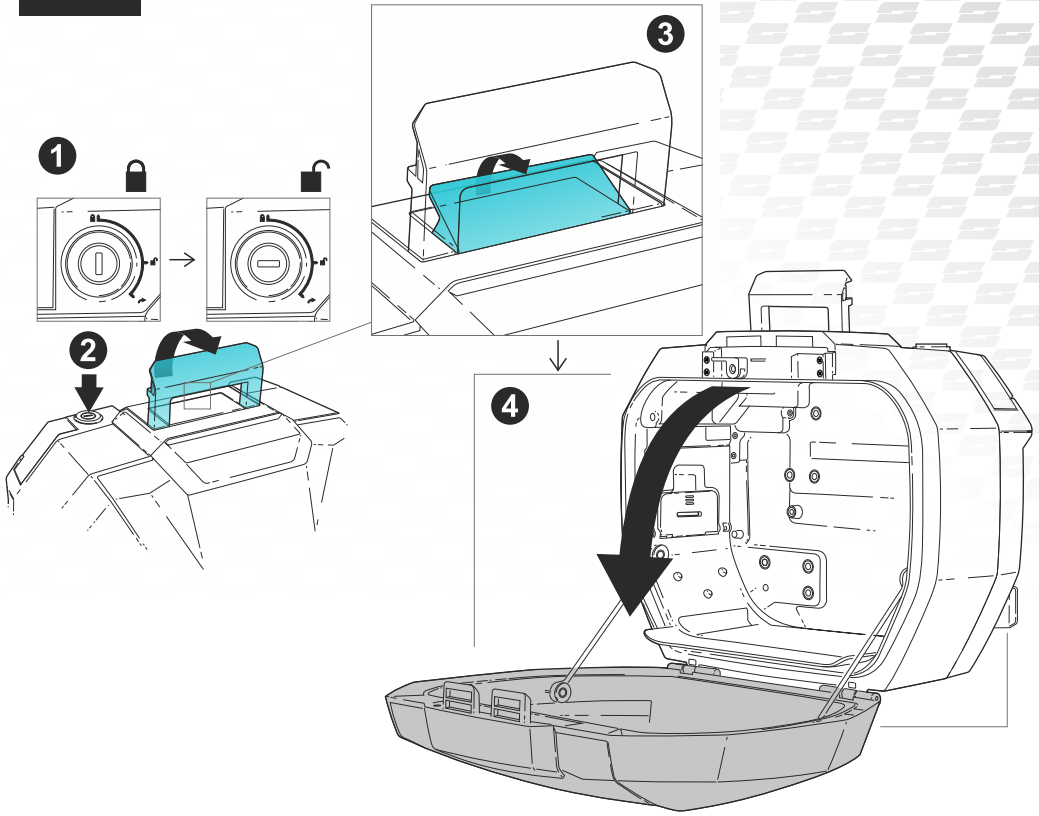


CASES ARE NOT DESIGNED TO PROTECT FRAGILE OBJECTS.

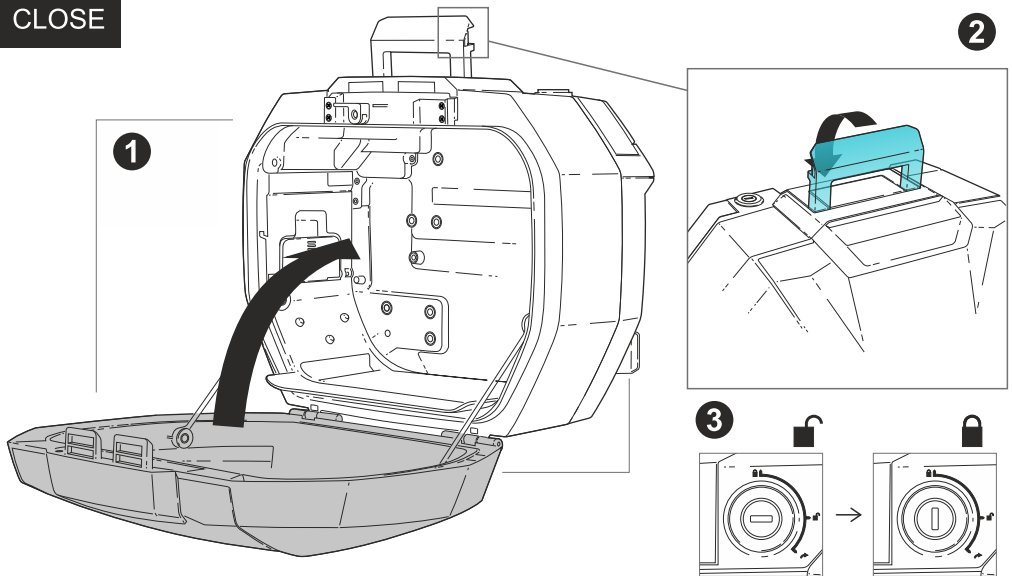


1 M. MINIMUM DISTANCE WITH POWER WASHER.

OPEN

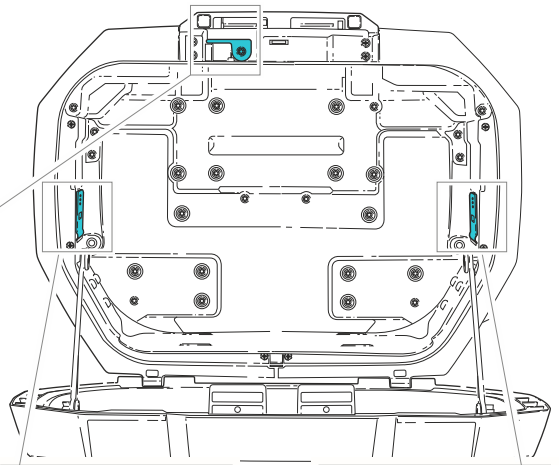
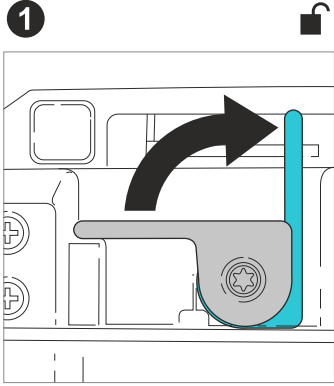


CLOSE

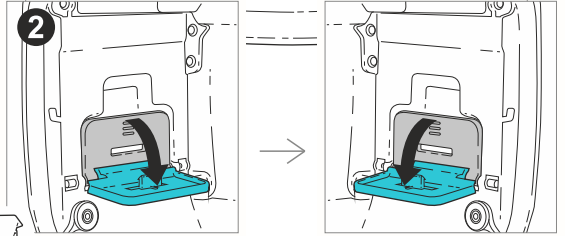


EXPAND

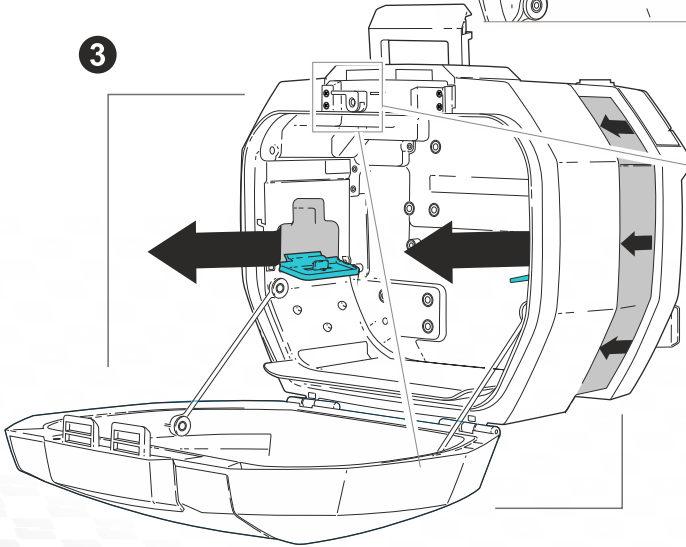
1



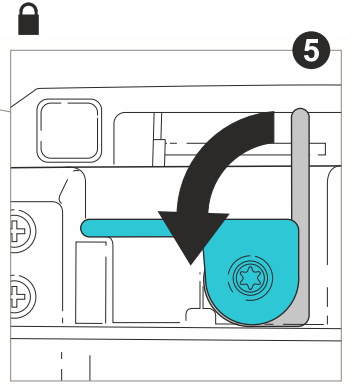
2



3

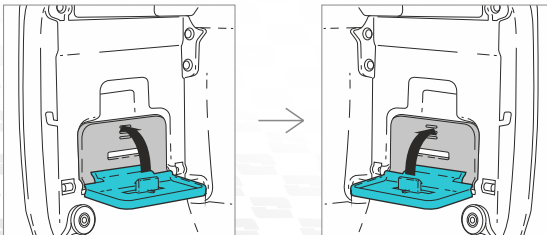


5



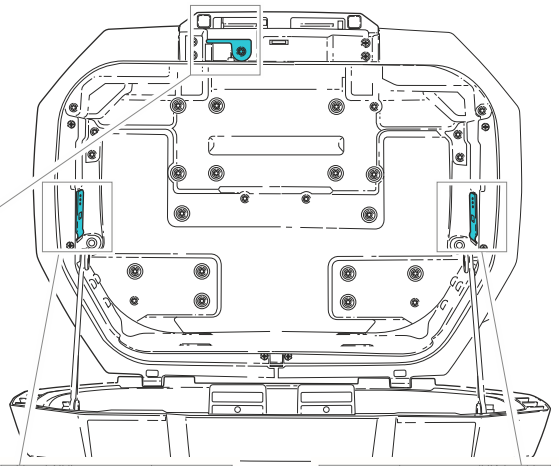
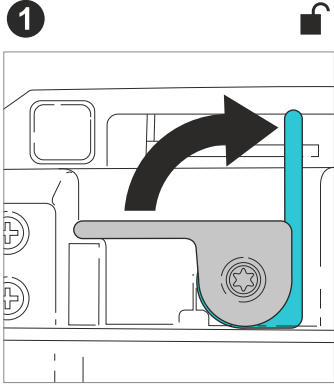
WARNING! 

4

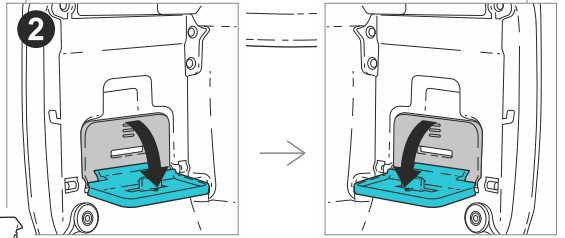


UNEXPAND

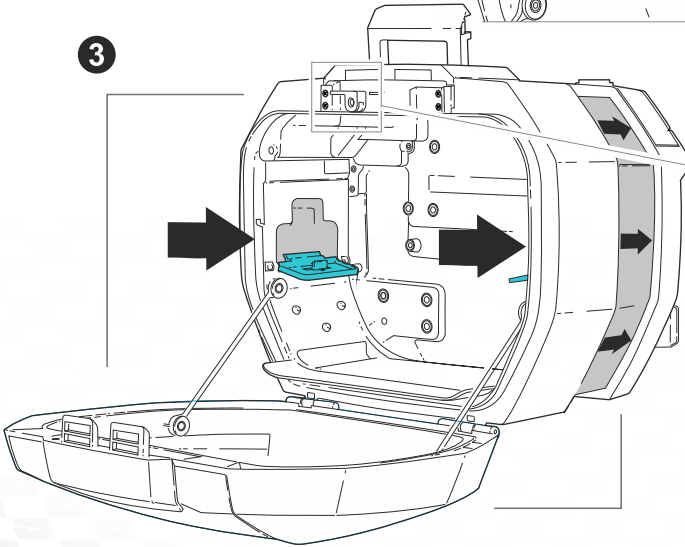
1



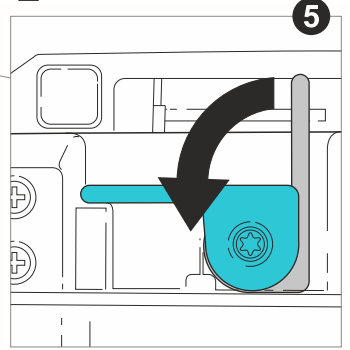
2



3

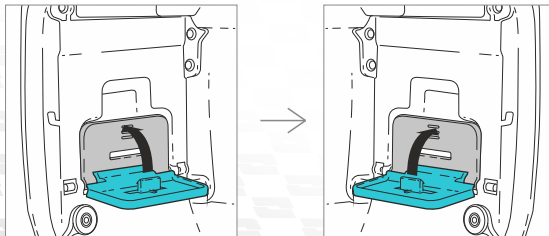


5



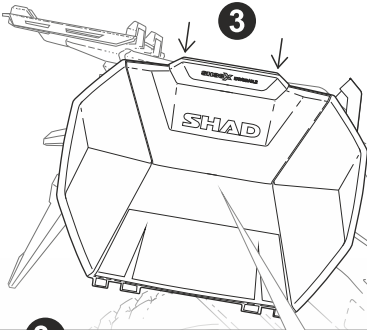
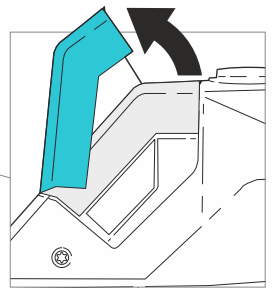
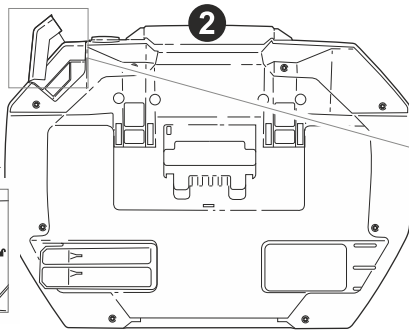
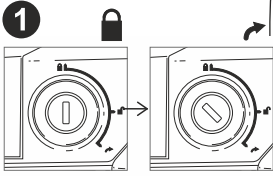
WARNING! 

4

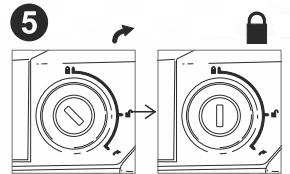
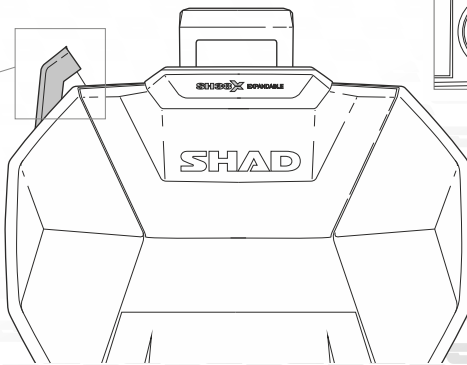
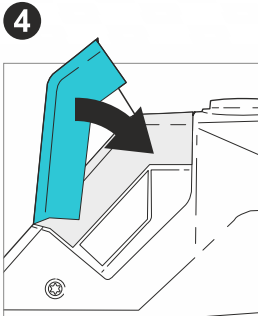
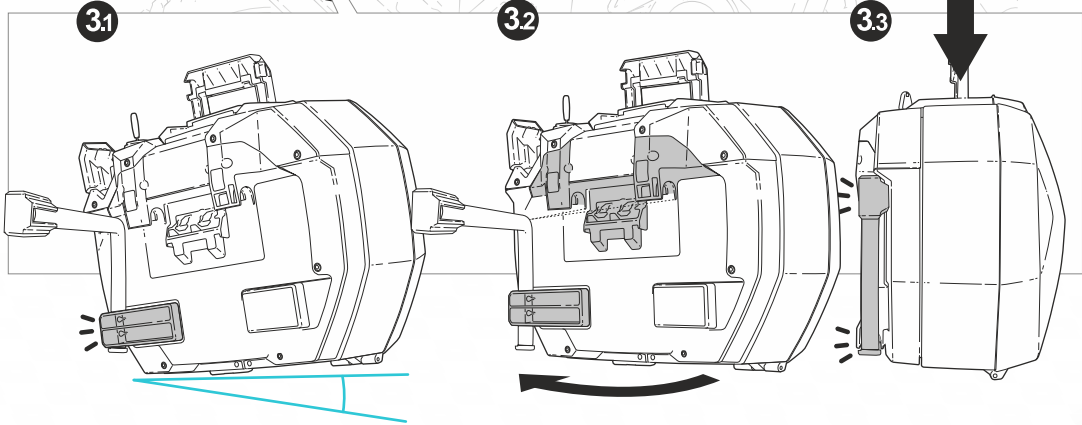


ASSEMBLY

3P
SYSTEM



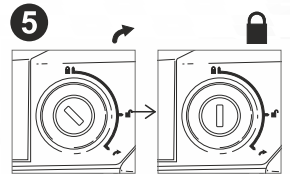
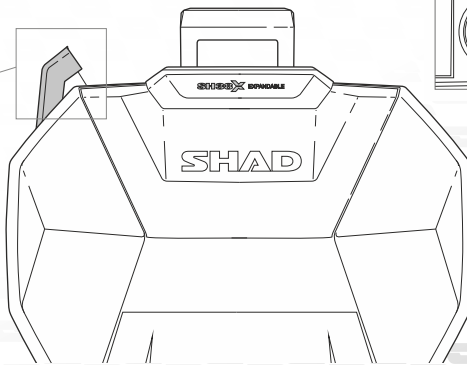
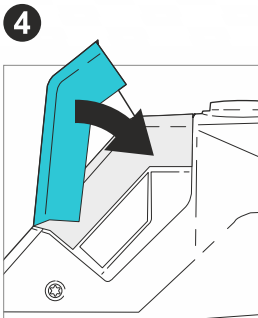
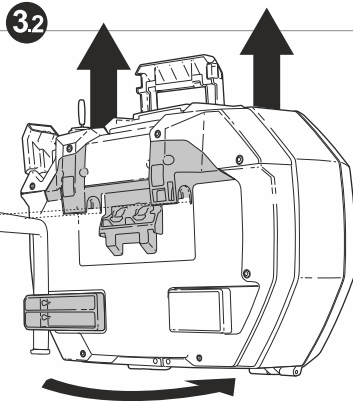
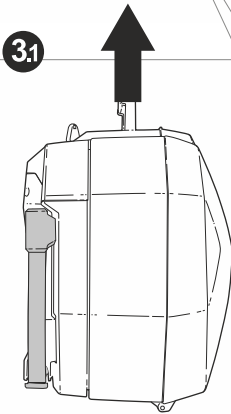
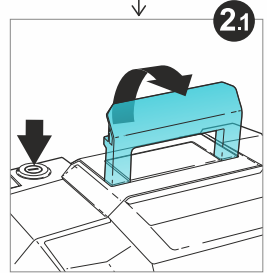
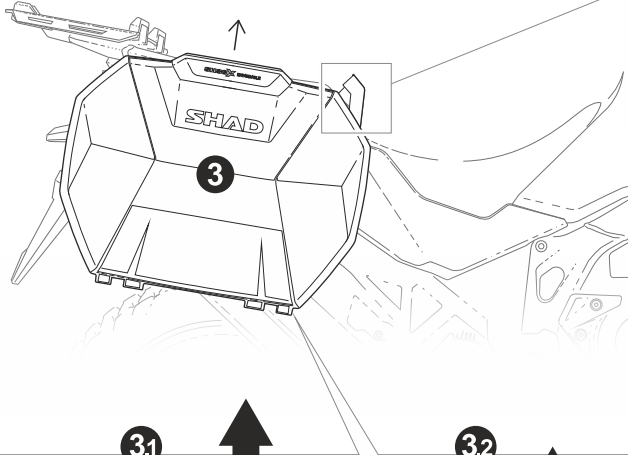
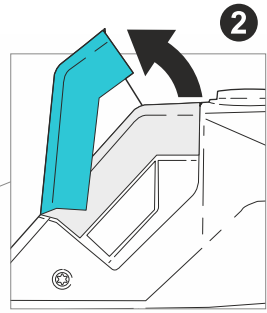
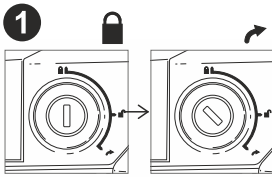
PUSH DOWN



WARNING!

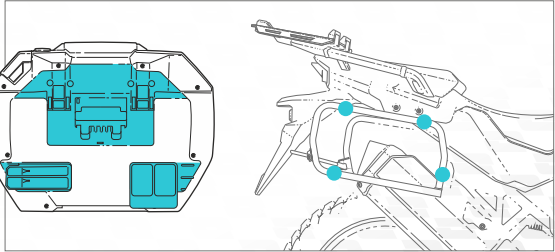
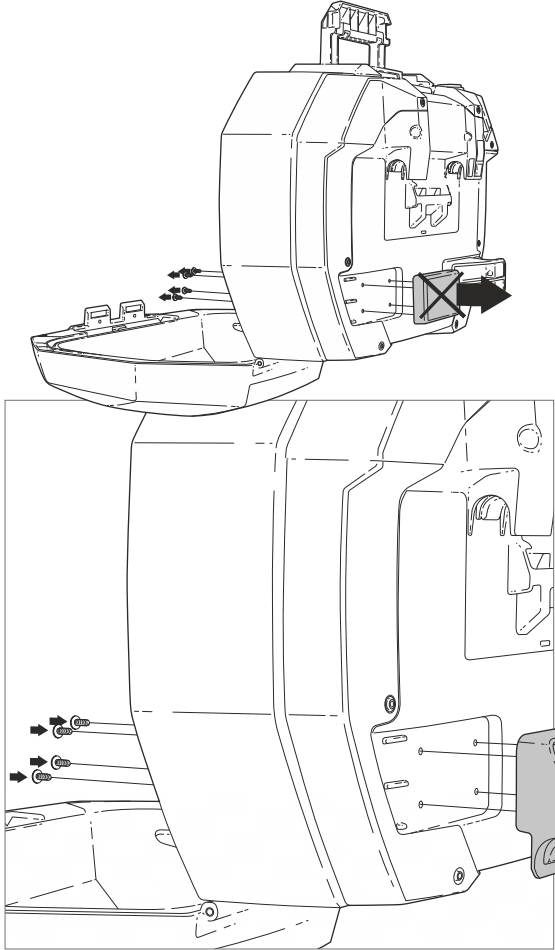
RELEASE

3P
SYSTEM



WARNING!

CONVERT TO 4P



ACCESSORIES

EXPANDABLE INNER BAG

Ref. X0IB38



INCLUDED

INNER NET

Ref. X0B3801



COLORS

BLACK

Ref. D1B38E21

WHITE

Ref. D1B38E08

CARBON

Ref. D1B38E06

UNPAINTED COVER

Ref. D1B38ER



DESIGNED IN BARCELONA

Since 1973

SHAD EUROPE MADRID

HEADQUARTERS

T: (+34) 935 795 866
Octave Lecante, 2-6
Mollet del Valles, 08100
Barcelona - Spain

SHAD CHINA

T: (+86)21- 62365730
Room 232, Building B,
No.668 Hengfeng Road,
Jing'An District, 200070
Shanghai - China

SHAD USA

T: (+1) 305 652 6366
19096 NE 4th Court
Miami FL, 33179
USA

SHAD INDONESIA

T: (+62) 21 2271 8560
Jl. Kemang Selatan VIII No.56 Unit B
Jakarta 12730 Indonesia

WWW.SHAD.ES



SHAD

ENGINEERED FOR RIDING

RESOURCE REDUCTION
60% SELF SUSTAINING FACTORIES
1500 TREES PLANTED 

 tree-nation

ISO 14001:2015



WWW.SHAD.ES